

6786 Series Environmentally Sealed

Commercial

- Low silhouette
- Normally open or closed
- Tamperproof, pre-set temperature calibration
- UL recognized, file #34618, see page 36 for details
- CSA certified, file # LR24458, see page 36 for details



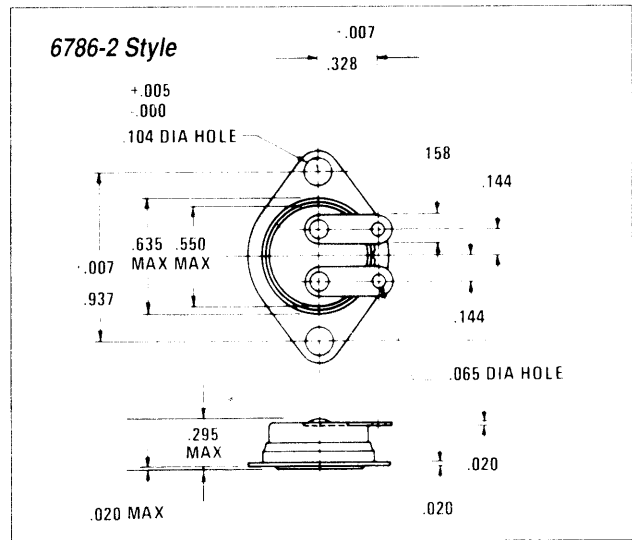
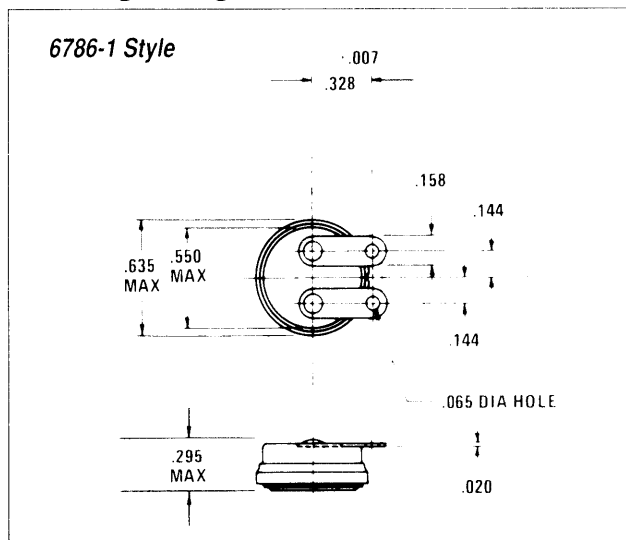
Actual size
6786-1 Style

The Klixon 6786 thermostat is a snap-acting disc type control designed for applications where maximum shock and vibration resistance is required. The Klixon snap-acting disc and fine silver

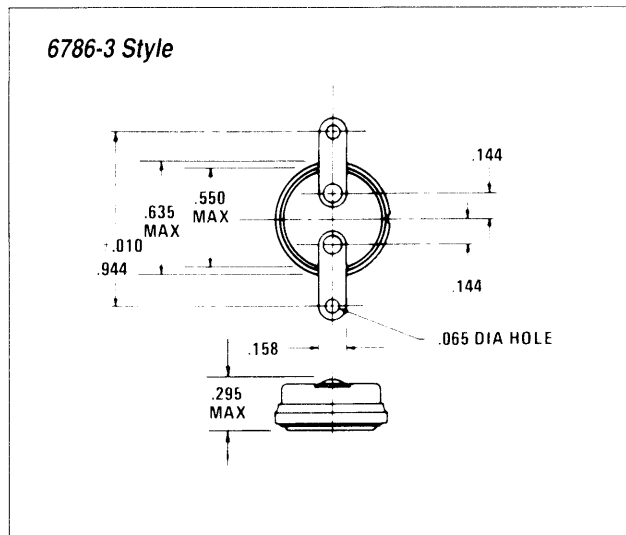
electrical contacts are enclosed in a stainless steel cup to provide protection from dust and other foreign particles. This construction also assures rapid thermal response plus dependable circuit

operation at all times. The miniature size of the 6786 makes it particularly suitable where space and weight accommodations are limited.

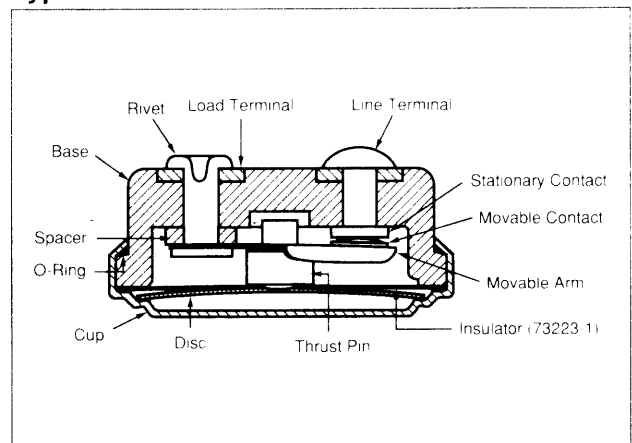
Mounting Configurations



Dimensions in inches



Typical Cross Section



Performance Characteristics

Switch Action

SPST, (snap-action)

Contact Ratings (Resistive)

30 VAC/DC	125 VAC	250VAC	Life Cycles
Amperes			
5.0	2.0	1.0	100,000
5.5	3.0	1.5	50,000
6.0	4.0	2.0	25,000
6.5	5.0	2.5	10,000
7.0	6.0	3.0	5,000

Based on standard differential

Vibration Resistance

MIL-STD-202, Method 204,
Condition A

Shock Resistance

30G, 11 milliseconds

Weight

2.5 grams

Qualifications

UL/CSA recognized
see page 36 for details

Terminals

The 6786 thermostat is available with solder type terminals in either the parallel or opposed alignments as shown in the drawings. Other configurations are available.

Mounting

The unit can be mounted in any position; in casting wells, through openings in metal enclosures and in space for control of air temperature. The unit can be supplied with or without the surface mounting bracket as shown in the drawings. Other brackets and studs are available.

Temperature (Use table below for common operating temperatures).

Ambient Temperature Range:

-65°F to +400°F, (-53.9°C to 204.4°C)

Maximum ambient exposure while in the closed contact position is 200°F above contact closing temperature.

Operating temperature

Temperature at which normally closed contacts open or normally open contacts close.

Tolerance

Allowable range above and below setpoint and reset temperatures.

Differential

Subtract the differential from the operating temperature to determine the temperature at which the contacts will return to the normal position (reset temperature).

Operating Temperature		Differential		Tolerance	
°F	°C	°F	°C	±°F	±°C
-20	-28.9	30	16.7	10	5.6
0	-17.8	30	16.7	10	5.6
10	-12.2	30	16.7	10	5.6
20	-6.7	20	11.1	8	4.4
30	-1.1	20	11.1	8	4.4
40	4.4	20	11.1	8	4.4
50	10.0	20	11.1	8	4.4
60	15.6	20	11.1	8	4.4
70	21.1	20	11.1	8	4.4
80	26.7	20	11.1	8	4.4
90	32.2	20	11.1	8	4.4
100	37.8	20	11.1	8	4.4
110	43.3	20	11.1	8	4.4
120	48.9	20	11.1	8	4.4
130	54.4	20	11.1	8	4.4
140	60.0	20	11.1	8	4.4
150	65.6	20	11.1	8	4.4
160	71.1	20	11.1	8	4.4
170	76.7	20	11.1	8	4.4
180	82.2	20	11.1	8	4.4
190	87.8	20	11.1	8	4.4

Operating Temperature		Differential		Tolerance	
°F	°C	°F	°C	±°F	±°C
200	93.3	30	16.7	10	5.6
210	98.9	30	16.7	10	5.6
220	104.4	30	16.7	10	5.6
230	110.0	30	16.7	10	5.6
240	115.6	30	16.7	10	5.6
250	121.1	30	16.7	10	5.6
260	126.7	30	16.7	10	5.6
270	132.2	30	16.7	10	5.6
280	137.8	30	16.7	10	5.6
290	143.3	30	16.7	10	5.6
300	148.9	30	16.7	10	5.6
310	154.4	40	22.2	12	6.7
320	160.0	40	22.2	12	6.7
330	165.6	40	22.2	12	6.7
340	171.1	40	22.2	12	6.7
350	176.7	40	22.2	12	6.7
375	190.6	40	22.2	12	6.7
400	204.4	40	22.2	12	6.7
425	218.3	40	22.2	12	6.7
450	232.2	40	22.2	12	6.7

Consult factory if desired operating temperature does not appear in the table.